

VG MAB

VG1-0308-007M-MAB

The VG-MAB booster set features one stainless steel multistage pump mounted on a powder-coated steel base plate. The pump is controlled by our advanced MAB variable speed control panel.

PRODUCT FEATURES

- Variable speed pump control
- 304 stainless steel pump
- 24-litre pressure vessel(s) with flow through isolation and drain valve
- Air-cooled inverters
- BMS volt-free contacts
- External enable on/off
- Hand/off/auto switches
- External low water
- Dry run protection
- Glycerine filled pressure gauge
- Pump check valve

APPLICATIONS

Cold water pressure and flow boosting in a range of domestic, commercial and industrial applications.

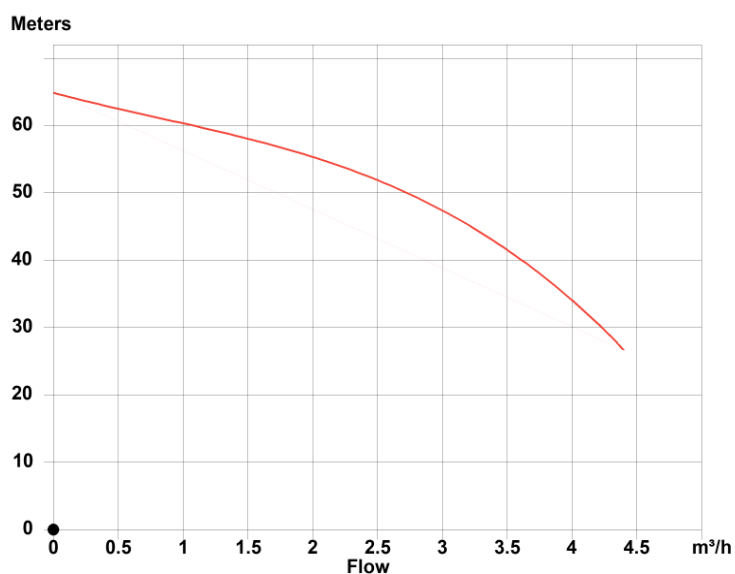
PRODUCT DATA SHEET



Specification

Suction connection	1"
Discharge connection	1"
Maximum working pressure	10.00 bar
	0.75 kW
Weight_incl_Fittings	41.00 kg
Vessel_Size	24.0 L
Number of pumps	1

Performance



Electrical Data

Mains connection	1~ 230V/50Hz
Current	4,4 A

Model Codes

VG1-0308-007M-MAB

Range

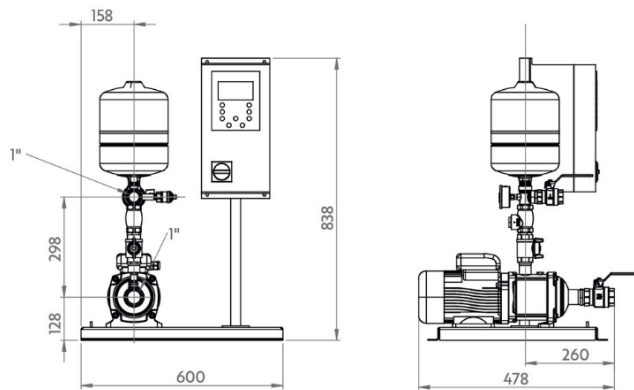
No of Pumps

Nominal flow in m³/h

Motor kW per Pump

Control type

Technical Drawings



Drawing dimensions

Dimension A	600 mm
Dimension B	478 mm
Dimension C	838 mm

Performance

