

VMV

VMV2-10-5V040L02

The WRAS approved VMV is a versatile, high-performance cold water booster set constructed using premium components and a strict adherence to quality standards. Specifiers can tailor a booster set to the precise project requirements. The VMV can be delivered disassembled for on-site assembly if required.

- All products in the VMV Cold Water Pressure Booster range are fully WRAS approved.
- Variable speed pumps
- HIRISE technology which protects the building's pipework by ensuring the pumps start slowly during the initial fill process to prevent surge and consequent damage to the riser. Intelligent motor control
- Cyclic duty changeover which ensures even wear across all pumps in the system.
- Common alarm volt-free contact
- Hours run recorders
- Pressure set point adjustment
- Local electrical isolation and MCB protection.
- Integral anti-vibration mountings
- TrueStandby™ ensures that every key component in the pressure booster has a back-up to keep the system operational in the rare occurrence of a component failure.

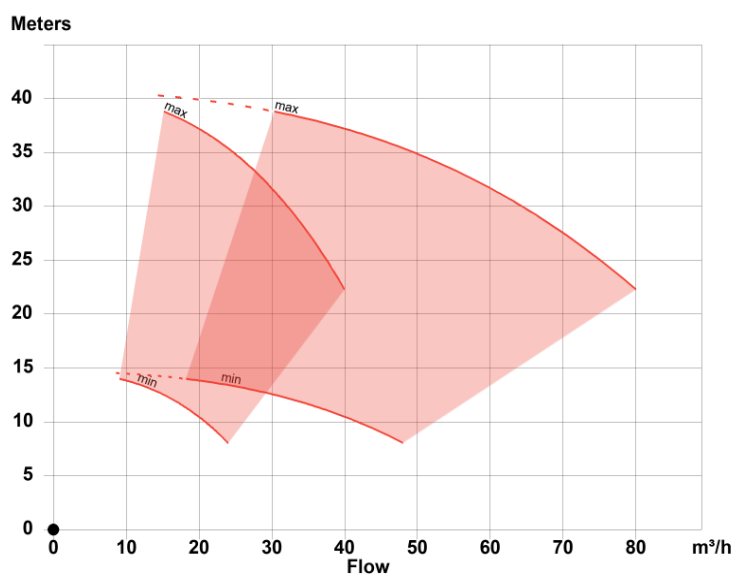
PRODUCT DATA SHEET



Specification

Suction connection	DN100
Discharge connection	DN100
Maximum working pressure	16.00 bar
	4.00 kW
Weight	430.00 kg
Vessel_Size	35.0 L
Number of pumps	2

Performance

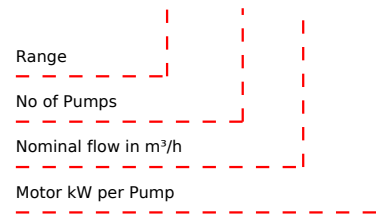


Electrical Data

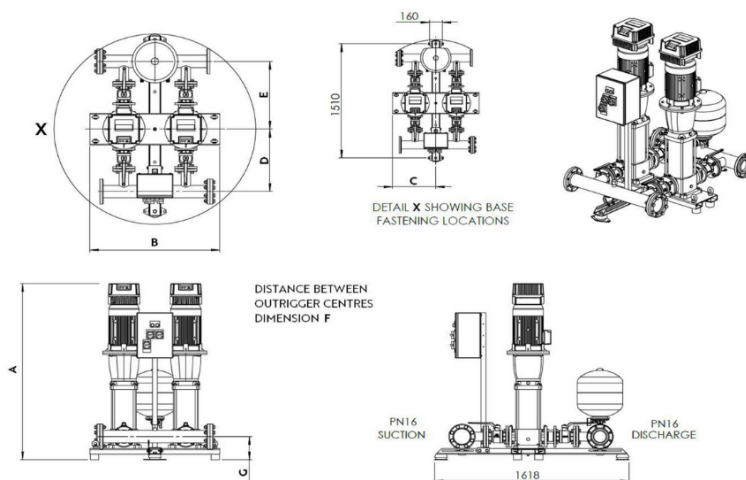
Mains connection	3~ 400V/50Hz
Current	7,87 A
Operating speed range	1800 - 2900 rpm
Frequency range	30-50 Hz

Model Codes

VMV2-10-5V040L02



Technical Drawings



Drawing dimensions

Dimension A	1,297 mm
Dimension B	1,080 mm
Dimension C	540 mm
Dimension D	550 mm
Dimension E	598 mm
Dimension G	205 mm

Performance

