

## VMV

### VMV2-10-5V055L02

The WRAS approved VMV is a versatile, high-performance cold water booster set constructed using premium components and a strict adherence to quality standards. Specifiers can tailor a booster set to the precise project requirements. The VMV can be delivered disassembled for on-site assembly if required.

- All products in the VMV Cold Water Pressure Booster range are fully WRAS approved.
- Variable speed pumps
- HIRISE technology which protects the building's pipework by ensuring the pumps start slowly during the initial fill process to prevent surge and consequent damage to the riser. Intelligent motor control
- Cyclic duty changeover which ensures even wear across all pumps in the system.
- Common alarm volt-free contract
- Hours run recorders
- Pressure set point adjustment
- Local electrical isolation and MCB protection.
- Integral anti-vibration mountings
- TrueStandby™ ensures that every key component in the pressure booster has a back-up to keep the system operational in the rare occurrence of a component failure.

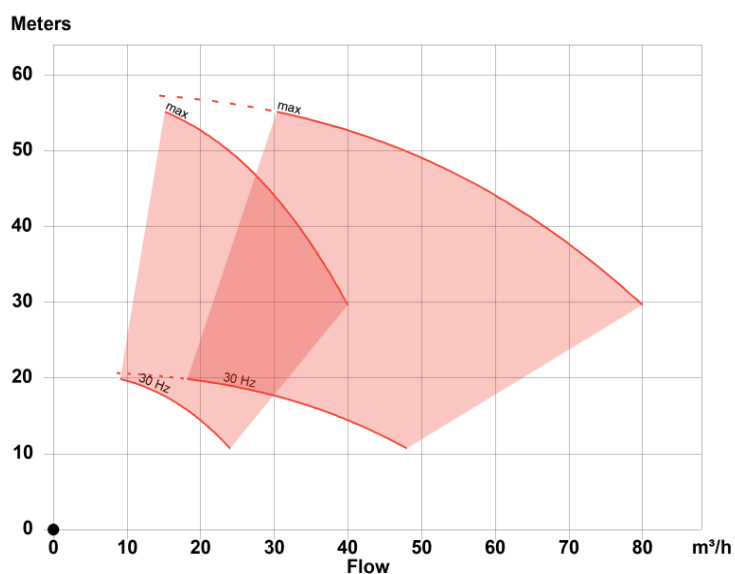
## PRODUCT DATA SHEET



### Specification

<b>Suction connection</b>	DN100
<b>Discharge connection</b>	DN100
<b>Maximum working pressure</b>	16.00 bar
	5.50 kW
<b>Weight</b>	500.00 kg
<b>Vessel_Size</b>	35.0 L
<b>Number of pumps</b>	2

### Performance



## Electrical Data

<b>Mains connection</b>	3~ 400V/50Hz
<b>Current</b>	10,4 A
<b>Operating speed range</b>	1800 - 2900 rpm
<b>Frequency range</b>	30-50 Hz

## Model Codes

VMV2-10-5V055L02

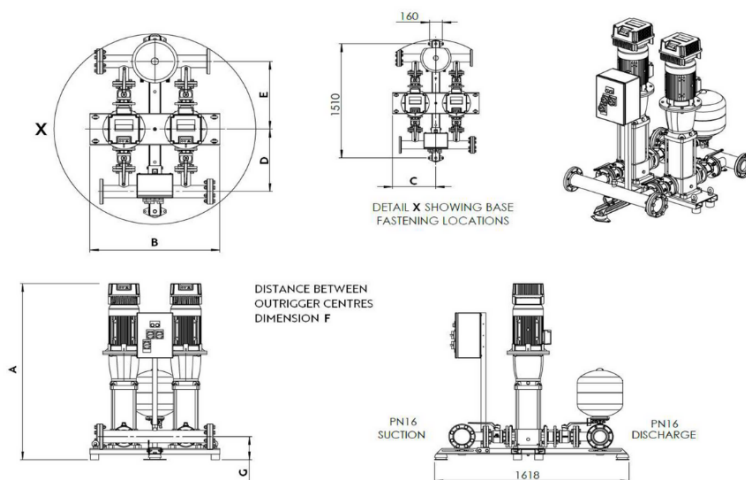
Range

No of Pumps

Nominal flow in m<sup>3</sup>/h

Motor kW per Pump

## Technical Drawings



## Drawing dimensions

<b>Dimension A</b>	1,362 mm
<b>Dimension B</b>	1,080 mm
<b>Dimension C</b>	540 mm
<b>Dimension D</b>	550 mm
<b>Dimension E</b>	598 mm
<b>Dimension G</b>	205 mm

Performance

